

## Auto Flex Cleaning System (AFCS) for use with the Soft Serve Freezer

Automated cleaning cycle takes approximately one hour to complete

Easy installation minimizes disassembly required

Up to one month between freezer tear downs

Less than 15 minutes operator time to complete cleaning cycle

Simple cleaning process is easily performed by crew members



Data and power connect directly to freezer

AFCS communicates with machine microprocessor to automate the clean cycle process

Step by step instructions provided by touch screen interface

Records "last clean" cycle on freezer

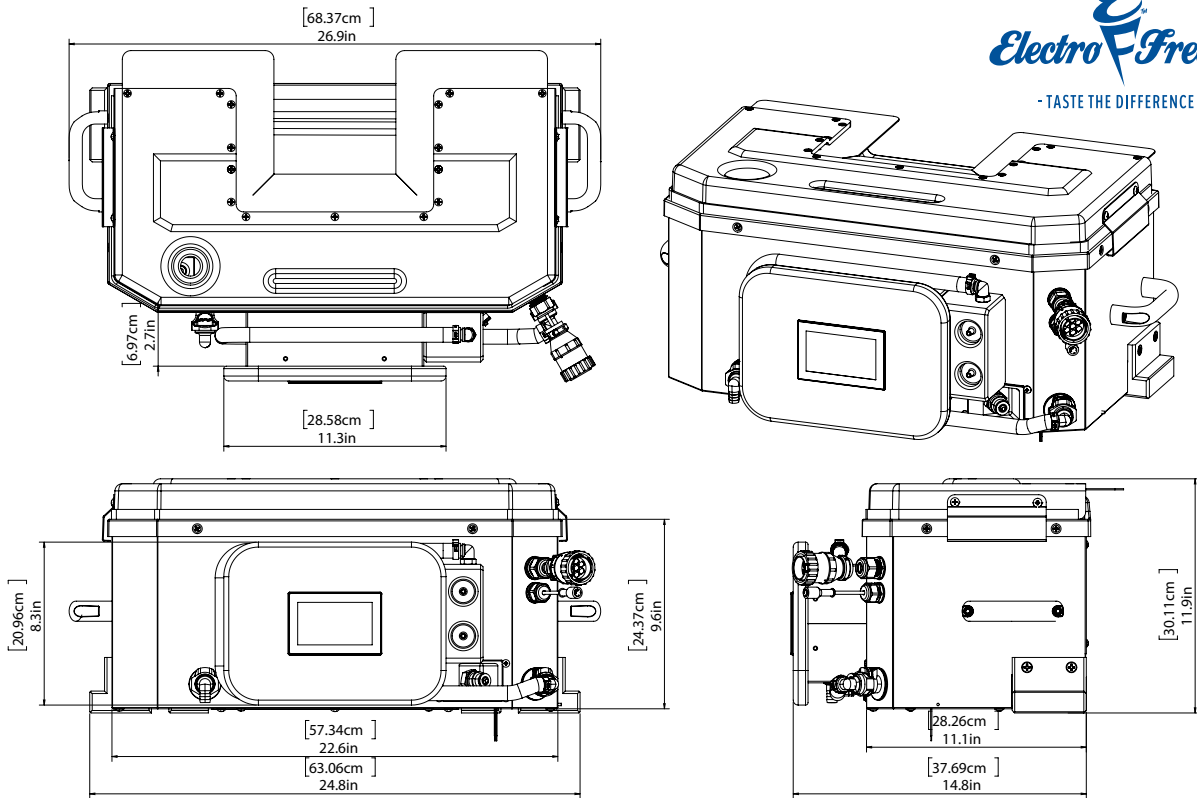
### Redefining Sanitation

The next level in sanitation is Electro Freeze's Auto Flex Cleaning System. Engineered to simplify cleaning operations while providing the highest levels of safety and sanitation, the AFCS is a step above the rest.

**Inquire for demonstration.**



# Auto Flex Cleaning System (AFCS)



Due to continual product improvements all specifications are subject to change without notice.

Width-in./cm	26.9/68.4
Height-in./cm	11.6/29.5
Depth-in./cm	14.8/37.7
Weight-lbs./kg	39.7/18.0
Heater (2)	1970W

### Electrical

208-230 – 21A MAX (Provided by freezer connection)

### Water Requirements

The Auto Flex Cleaning System requires a fresh water inlet. The pressure regulator provided with the Auto Flex Cleaning System must be used to ensure proper operation. Below are the requirements needed for the water supply:

1. Water Hose: 3/4 Potable Water Garden Hose
2. Water Pressure: 30-150 psi before regulator - 30 psi MAX at AFCS
3. Water Temperature: 45-120 F

*NOTE: A backflow preventer must be installed per local health code requirements.*

### Drain Requirements

A floor drain or sink no more than 40" high is needed to remove waste water from the unit. A 25' drain hose is provided.



Electro Freeze div. of H.C. Duke & Son, LLC

2116-8th Avenue, East Moline, Illinois 61244 USA

Phone (309) 755-4553 • (800) 755-4545

FAX (309) 755-9858

E-mail: sales@electrofreeze.com • www.electrofreeze.com

Authorized Distributor