

## **ShowCube INDOOR GARDEN IGR Series**

### **FEATURES AND BENEFITS:**

- Merchandise flats of micro greens and herbs to your customers in a small footprint.
- Grows and maintains flats of greens for weeks.
- Simple to use and easy to maintain.
- Manually water flats daily for best results.
- EZ door slide & pull tray system for ergonomic cutting and replacing flats of micro greens and herbs.
- Exclusive LED "grow and show" light rated for system 50,000 hours to 70% luminous.
- Standard 120V or 240V universal system.
- Currently available in single or double tray capacities.
- 1 Year warranty



IG2R  
(Shown with custom printed graphics)

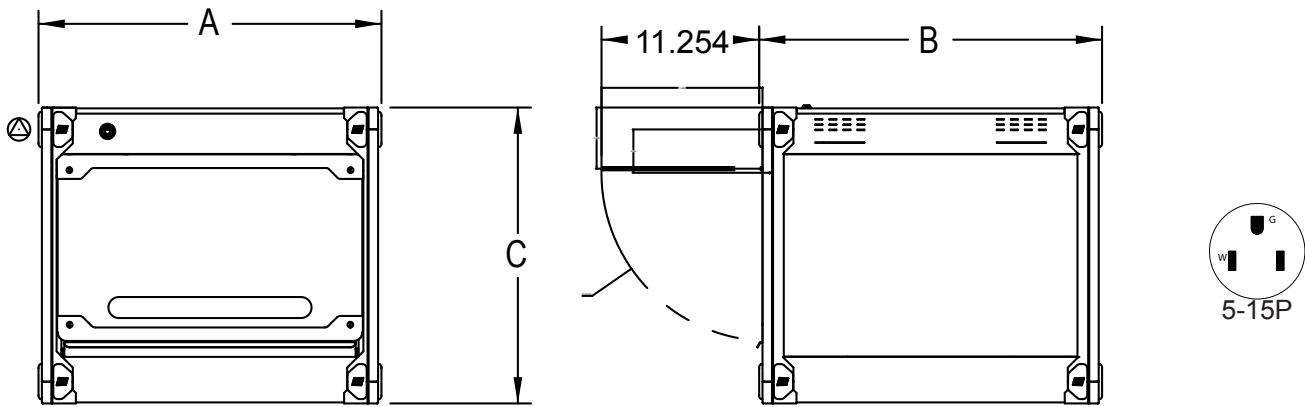


(Approval in process)

### **ACCESSORIES and OPTIONS (Available at extra cost):**

- Custom printed graphic side panels
- Automatic On/off timer
- 240 Volt Service

See page P-10 for accessory details.



CRES COR MODEL NO.	CAP	FLAT SIZE		DIM "A"	DIM "B"	DIM "C"	MAX PLANT HEIGHT*		WEIGHT ACT.
				WIDTH	DEPTH	HEIGHT			
IG1R	1	10-1/2 X 20 x 1/2	IN	24-1/2	12-1/2	21-1/8	10-1/2	LBS	39
		267 X 508 x 13	MM	622	318	537	267	KG	18
IG2R	2	10-1/2 X 20 x 1/2	IN	24-1/2	24-1/2	21-1/8	10-1/2	LBS	49
		267 X 508 x 13	MM	622	622	537	267	KG	22

\*Height measured from top of flat.

RECOMMENDED AMBIENT TEMPERATURE OF 65° TO 72°F (18° TO 22°C)

**CABINET:**

- 16 ga corners with 18 ga reinforcements
- Welded 18 ga removable slide tray (need size)
- 3/16" Lexan panels
- Unit can be mounted on modular rack.

**BASE:**

- 22 ga stainless steel.

**DOOR:**

- Reinforced .187 Retractable, vertical swing, 3/16" Lexan door.

**(IG1R) GROW UNIT COMPONENTS:**

- Body constructed of 22 ga. stainless steel.
- Lights: (1) 20 Watt 24V 6500K LED aluminum backed strip lighting
- Fans: (1) centrifugal fan (1) axial.
- Universal power input.
- Illuminated latching switch.

**(IG2R) GROW UNIT COMPONENTS:**

- Body constructed of 22 ga. stainless steel.
- Lights: (2) 20 Watt 24V 6500K LED aluminum backed strip lighting
- Fans: (1) centrifugal fan (1) axial.
- Universal power input.
- Illuminated latching switch.

**POWER REQUIREMENTS:**

- 50 Watts, 120/240 Volts, 60 Hz., single phase, .5 Amps., 15 Amp. service.

**SHORT FORM SPECIFICATIONS**

Cres Cor, Fresh Cor indoor garden rack mountable cabinet model IG\_\_R. Stainless steel structure with universal 120/240 power input, 20 Watt LED grow light, 25 CFM constant air flow, 1/2" (\_\_) Flat over flow tray, max plant height of 10-1/2" and retractable vertical swing door. 1-Year Parts / 1-Year Labor warranty. Provide the following accessories: \_\_\_\_\_ CSA-US, CSA-C, CSA to NSF4 listed.



Scan QR code to view Spec Sheet, Operating Manual, Wiring Diagram or to call Customer Service.

If you need a QR reader visit your App Store on your Smartphone or Tablet.



5925 Heisley Road • Mentor, OH 44060-1833  
 Phone: 877/CRESCOR • Fax: 440/350-7267  
 www.crescor.com

© Crescent Metal Products, Inc. 2017 All rights reserved.

*In line with its policy to continually improve its products, CRES COR reserves the right to change materials and specifications without notice.*

Made in America Since 1936