

### 3-TIER SQUARED HOT DISPLAY

#### SPECIFICATIONS

Patented technology is designed to allow hot air convection, which enables the individual zones to be controlled, maintaining the quality of the product. The innovative technology of Flexeserve Zone® gives the versatility of tailoring the hot food offerings, reducing product waste from the ability to turn zones on or off predicated upon the time of day and customer demands!

Available lengths:  14" \*\*\*  22"  38 3/8"

Available depths:  35 3/8" \*\*

Available heights:  60"



\*\* DEPTH INCLUDES 2" REMOVABLE REAR BUMPERS

#### STANDARD FEATURES

- Individually controlled temperature zones
- Energy efficient LED lighting in all zones
- Mirror Polished Back Panel
- Fan Guards Included (one per zone)
- Squared top canopy
- Brushed stainless steel exterior top canopy & lower front valance
- Squared double glazed glass end panels
- Black glass display shelves
- Stainless steel shelf edges
- Clear ticket strips, shelf risers & ticket strips
- 2" rear bumpers for wall clearance
- Stabilizing plate (for 14" unit only)\*\*\*
- Casters

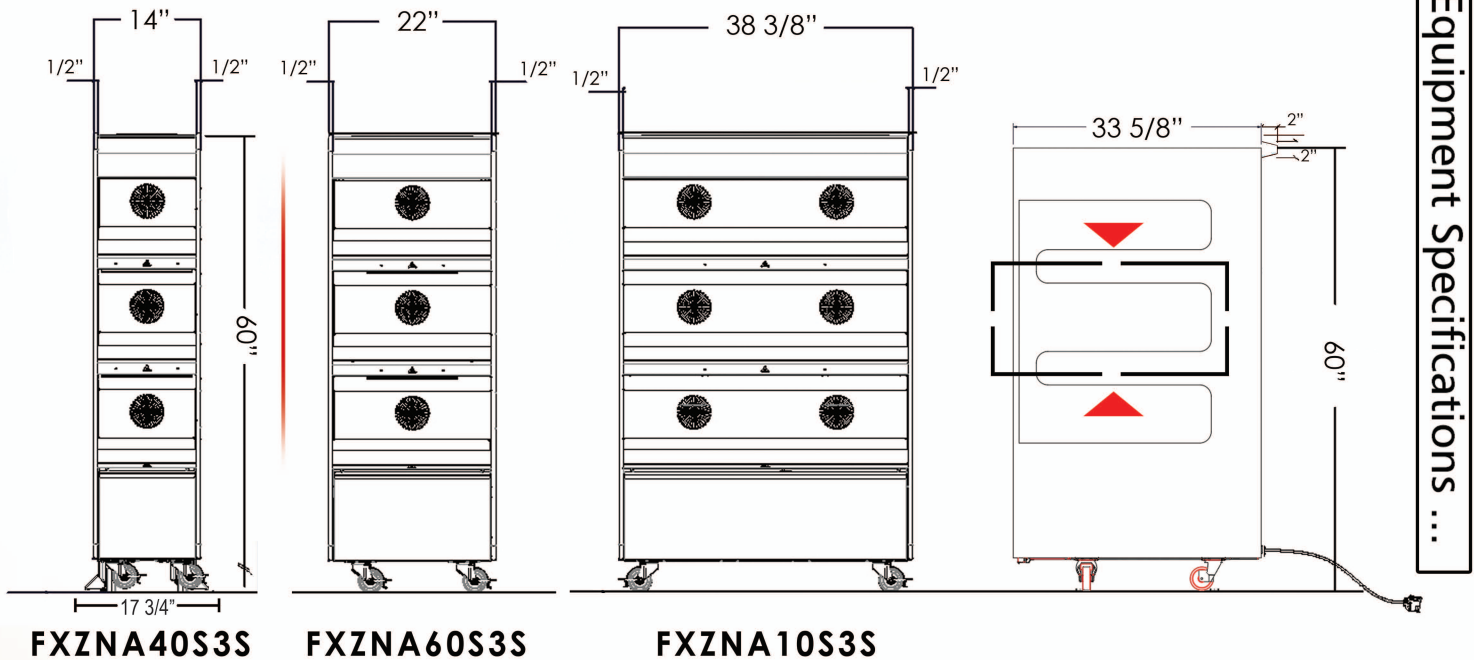
#### MARKETING ACCESSORIES

- Angled Merchandising Insert (Order 1 to fill the shelf, 2 for FXZNA10S3S)
- Merchandising Divider (Recommended for use with Angled Inserts)
- Merchandising Tray
  - FXZNA40S3S (1 to fill the shelf)
  - FXZNA60S3S (2 to fill the shelf)
  - FXZNA10S3S (4 to fill the shelf)

#### OPTIONAL FEATURES

- #8 Mirrored polished stainless steel for **top fascia\*** and **lower valance\***
- Exterior standard colors for top fascia and lower valance (See RPI Color Chart)
- Exterior custom colors for top fascia and lower valance (Consult factory)
- Exterior with custom graphics package (Consult factory)
- Night Blind

**3-TIER SQUARED HOT DISPLAY**

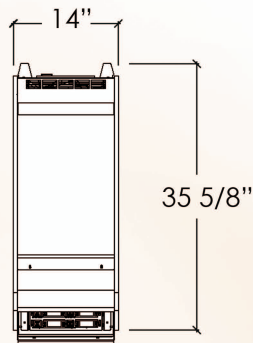


Equipment Specifications ...

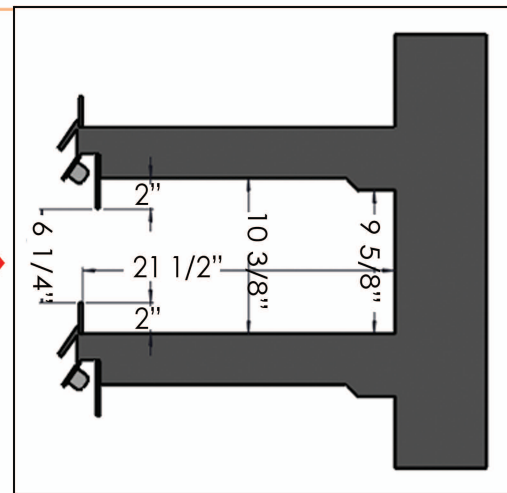
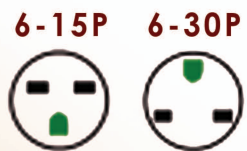
**FXZNA40S3S**

**FXZNA60S3S**

**FXZNA10S3S**



**PLUG CONFIGURATION**



**INTERIOR SHELF DEPTH**

MODEL	L	D	H	VOLT	AMP	PLUG	WT
FXZNA40S3S	14" ***	35 5/8"	60"	SINGLE PHASE 208/230	10.7	6-15P	366
FXZNA60S3S	22"	35 5/8"	60"	SINGLE PHASE 208/230	10.7	6-15P	392
FXZNA10S3S	38 3/8"	35 5/8"	60"	SINGLE PHASE 208/230	21.5	6-30P	611

\*\*\* Note: Stabilizing plate is necessary for transporting the narrow 14" unit. Plate can be removed if desired once unit is in place. If plate is left on, the overall width increases from 14" to 17 3/4".

**USA Patent Number - 9,462,897 B2**



Conforms to UL Standard 197, and NSF Standard 4; Certified To CSA Standard C22.2 No.109

RPI in line with its policy to continually improve its products reserves the right to change materials and specifications without notice.

CALL TOLL FREE: 800-525-3692 (609-714-2330)  
 FAX: 609-714-2331 www.rpiindustries.com  
 220 ROUTE 70, MEDFORD, NJ 08055

